



OUR NAME. OUR REPUTATION. O'MARA.

TR SERIES 100 - TRI-ROLLER BELT CONVEYORS

Stationary roller bed belt conveyors are the ideal choice for handling all types of bulk materials at inclines up to 30 degrees. In addition to small free flowing bulk products such as seed, grain, and feed, larger bulk products including ear corn, husks, silage, or waste materials may also be transferred.



FEATURES AND OPTIONS

- ✓ Numerous designs and lengths available to meet the project scope.
- ✓ Belt widths available in 18", 24", 30", and 36" with stainless steel belt lacing.
- ✓ Gear reduction drives sized and specified per application.
- ✓ Push-style, guarded screw take-ups standard.
- ✓ 1.9" dia. Galvanized load and return rollers.
- ✓ Formed and welded 12 gauge frames.
- ✓ Standard 7 gauge drive and take-up terminals.
- ✓ Standard powder coat finish, your choice of color.

STANDARD FEATURES

- ✓ **CONVEYOR FRAMES:** Drive and take-up terminals fabricated from 7 gauge sheet steel, intermediate sections are 12 gauge sheet steel. Welded construction with 30° idler angle and 1.9" diameter galvanized trough and return idlers. Idler stations spaced 30" O.C. with outside idlers adjustable for training belt. Return idlers spaced 60" O.C. All return idlers are double punched for ideal belt tracking. All bottom flanges are turned in at 45° and all spreader angles are inverted so as not to create any ledges that may catch product.
- ✓ **BELTING TYPES:** Minimum PVC 150#. Smooth top, crescent top, and rough top, belts are available depending on the application with stainless steel mechanical belt lacing.



O'MARA AG & EQUIPMENT SERVICES

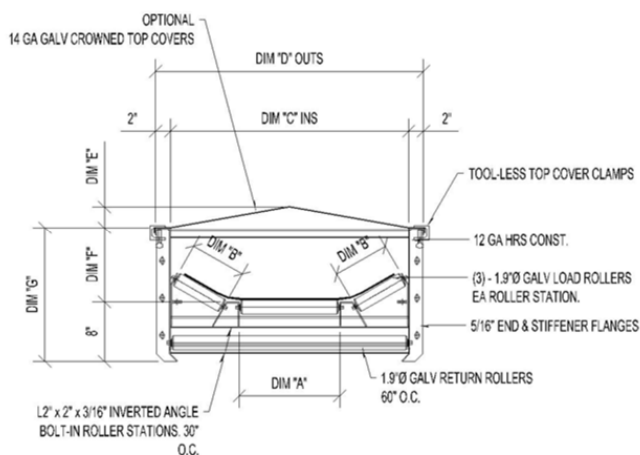
1626 Delaware Ave.
Des Moines, IA 50317
(515) 989-2094
www.omara-ag.com

ROBIN O'MARA,

President / (515) 321-5267
romara60@msn.com

BRUCE COCKRAM,

Outside Sales / (515) 681-2160
Bruce.Cockram@omara-ag.com



STANDARD FEATURES (CONTINUED)

- ✓ **POWER/DRIVES:** 208-230/460 3 phase and 230 volt single phase TEFC motors. Explosion proof, wash down, and corrosion resistant available upon request. Gear reduction shaft mounted, right angle, and right angle/chain final drives are available.
- ✓ **PULLEYS:** Crowned and vulcanized, rough top lagged head pulleys are standard in 6", 8", 10, 12", 16", 18", and 24" diameters, depending on overall length of the conveyor. Crowned take-up pulleys are 4", 6", or 8" diameter. Standard snub rollers are 4" or 6" diameter.
- ✓ **GUARDING:** Every conveyor is shipped with all of its moving parts guarded, including, pulleys, bearings, shafts, take-ups, and drives as an integrated standard feature, not as an add-on.

TRI-ROLLER (TR) 100 SERIES STANDARD PROFILE									
BELT WIDTH	DIM "A"	DIM "B"	DIM "C"	DIM "D"	DIM "E"	TR-5		TR-10	
						DIM "F"	DIM "G"	DIM "F"	DIM "G"
18"	N/A	9.1/2"	20"	24"	1.3/4"	5"	13"	10"	18"
24"	7.1/2"	7.1/2"	26"	30"	2.5/16"	5"	13"	10"	18"
30"	13.1/2"	7.1/2"	32"	36"	2.13/16"	5"	13"	10"	18"
36"	19.1/2"	7.1/2"	38"	42"	3.3/8"	5"	13"	10"	18"

AVAILABLE OPTIONS

- ✓ Galvanized hip-roof top weather covers.
- ✓ Formed mild steel or expanded metal, hinged bottom covers.
- ✓ Discharge chutes, lined and un-lined.
- ✓ Belt skirting: Rubber, metal, or combination or both.
- ✓ Reversing center drives.
- ✓ Both under-slung and overslung/ horizontal gravity take-ups.
- ✓ Belt loaders, inlet boxes, and receiving hoppers.
- ✓ Inside radius and outside radius bend wedges.
- ✓ Structural supports and truss frame designs.
- ✓ Stainless steel construction.
- ✓ Gravity or shuttle conveyor motorized trippers.
- ✓ Belt misalignment and belt speed sensors.
- ✓ Training idlers to aid in belt tracking.
- ✓ Additional bolt-in roller stations for load points.